



MA900



General Description

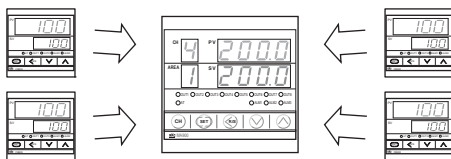
The MA900 controls up to 4 channels in a compact 1/4 DIN size. The MA900 increases zone density and makes smaller numbers of loops affordable, yet still holds many of the advantages that a single loop controller might offer. This unit will aid designers of control equipment by saving labor costs, installation costs, electric panel sizes, and operation costs.

Features

- ☆ 4 channels control
- ☆ Multi-memory area
- ☆ Digital communications
- ☆ Heat/Cool action
- ☆ Digital contact input
- ☆ Multiple alarm functions
- ☆ Close horizontal mounting
- ☆ IP65 Waterproof/dustproof protection

4 channels Control

4 channels of temperature controls are packed into 96 x 96 x 100mm case. The MA900 can reduce your panel cutouts and make your panel board smaller.



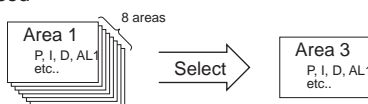
Multi-Memory Area

Up to 8 kinds of combinations of temperature set value, PID constant, alarm set value, etc. for each channel can be registered as "Memory area" (recipe).

The change of settings caused by the change of a process and product can be simply realized only by switching the "Area". The switching of the area by optional external contact input is also available.

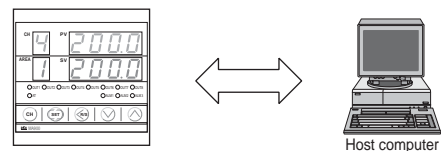
The available parameters for multi memory area :

SV, Alarm set values, PID constants, Anti-reset windup, Overlap/dead band, Setting change rate limiter, Channel used/unused



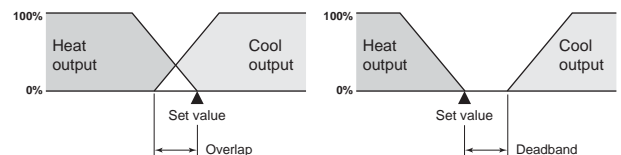
Digital Communications (Optional)

An optional communications interface, RS-232C, RS-422A or RS-485 is available for networking to computers, PLCs and SCADA software. MODBUS or ANSI (RKC standard) protocol can be selected. Up to 31 units can be interfaced on one RS-422A or RS-485 communication line.



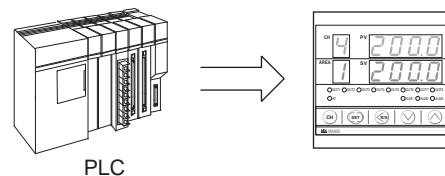
Heat/Cool Control (Optional)

The Heat/Cool PID control features heat and cool outputs for use where process-generated heat exists. This allows the input of overlap or deadband settings which contribute to energy savings.



Digital Contact Input (Optional)

An optional digital contact input is available for RUN/STOP and memory area switching. (RUN/STOP switching can also be completed at the front key panel.)



Multi-Loop Digital Temperature Controller MA900

Features

Multiple of Alarm Functions

The MA900 provides a wide selection of alarm types to configure up to three alarms.

Alarm 1 (Standard) :

Temperature alarms, Loop break alarm, FAIL

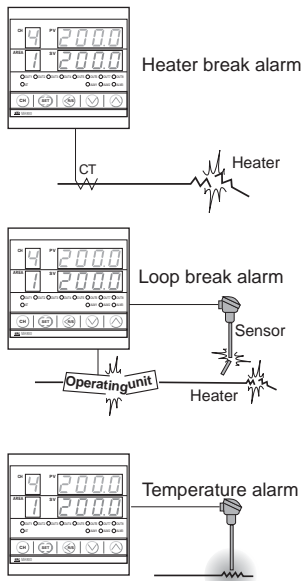
Alarm 2 (Optional) :

Temperature alarms, Heater break alarm, FAIL

Alarm 3 (Optional) :

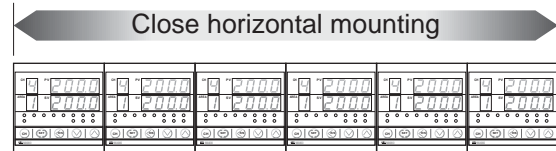
Temperature alarms, FAIL

Alarm output is common to all channels. But alarm 3 is available for optional independent output for each channel.



Close Horizontal Mounting (Optional)

The MA900 has been designed with a unique mounting bracket that allows close horizontal mounting of multiple instruments to save valuable panel space.



Waterproof/Dustproof (Optional)

For operation in severe environments or when washdown is required, the IP65 rating is available for waterproof/dustproof protection.



Specifications

Input

Number of Inputs

4 points

Input

- Thermocouple : K, J, R, S, B, E, T, N (JIS/IEC), PLII (NBS)
W5Re/W26Re (ASTM), U, L (DIN)
 - Influence of external resistance : Approx. $0.2\mu\text{V}/\Omega$
 - Input break action : Up-scale
- RTD : Pt100 (JIS/IEC), JPt100 (JIS)
 - Influence of input lead resistance : Approx. $0.01[\%/\Omega]$ of reading
 - Maximum 10Ω per wire
 - Input break action : Up-scale
 - Input is not isolated.
- DC voltage : 0 to 5V, 1 to 5V, 0 to 10V
 - Input break action : Down-scale
 - Input is not isolated.

Sampling Time

0.5 sec

Input Filter

First order lag digital filter
Time constant 1 to 100 sec. (OFF when 0 is set)

PV Bias

- span to +span (Within -1999 to 9999)

Performance

Measuring Accuracy

- Thermocouple
 - $\pm(0.3\%$ of reading + 1 digit) or $\pm 2^\circ\text{C}$ (4°F) whichever is larger
 - Accuracy is not guaranteed between 0 and 399°C (0 and 799°F) for type R, S and B.
 - Accuracy is not guaranteed less than -100.0°C (-158.0°F) for type K, J, T and U.
- RTD
 - $\pm(0.3\%$ of reading + 1 digit) or $\pm 0.8^\circ\text{C}$ (1.6°F) whichever is larger
- DC voltage
 - $\pm(0.3\%$ of span + 1 digit)

Insulation Resistance

More than $20\text{M}\Omega$ (500V DC) between measured terminals and ground
More than $20\text{M}\Omega$ (500V DC) between power terminals and ground

Dielectric Strength

1000V AC for one minute between measured terminals and ground
1500V AC for one minute between power terminals and ground

Control

Control Method

- a) PID control (with autotuning function)
 - Available for reverse and direct action. (Specify when ordering.)
- b) Heat/Cool PID control (with autotuning function)
 - Air and water cooling types are available. (Specify when ordering.)

Major Setting Range

- Set value : Same as input range.
- Heat side proportional band : 1 to span (ON/OFF action when P=0)
 - Differential gap at ON/OFF action is 2°C (°F) or 0.2%.
- Cool side proportional band : 1 to 1000% of heat side proportional band
- Integral time : 1 to 3600sec. (P + D action when I=0)
- Derivative time : 1 to 3600sec. (P + I action when D=0)
- Anti-Reset Windup (ARW) : 1 to 100% of heat side proportional band
(Integral action is OFF when ARW=0)
- Deadband/Overlap : -span to +span (Within -1999 to 9999)
 - Minus setting : Over lap
- Proportional cycle time : 1 to 100 sec.

Operation Mode

Available for switching each channel to be normal (control), alarm monitoring (control output OFF, alarm action enabled) and unused.

Control Output

- Relay output : Form A contact, 250V AC 3A (resistive load)
 - Voltage pulse output : 0/12V DC
(Load resistance : More than 600Ω)
 - Current output : 4 to 20mA DC or 0 to 20mA DC
(Load resistance : Less than 600Ω)
 - Triac output : Rating : 0.5A
(An ambient temperature is less than 40°C)
- Between output terminals are not isolated.

Alarm (Up to 3 points) (Optional)

- Alarm 1 output (Standard), Alarm 2, 3 (Optional)
- Independent output for each channel of Alarm 3 is optionally available (OUT 5 to 8), but not available for Heat/Cool control type.

Temperature Alarm

- a) Type : Deviation High, Low, High/Low, Band, Process High, Low
Set value High, Low, Fail
- b) Differential gap : 2°C (°F) or 2.0°C (°F) (Temperature input)
0.2% (Voltage, current input)

Control Loop Break Alarm (LBA)

- a) LBA time setting : 0.1 to 200.0 min.
 - b) LBA deadband : 0 to 9999 °C [°F] or 100% of span
(OFF by setting zero)
- Output from Alarm 1 terminal.

Heater Break Alarm (For single phase)

- a) CT type : CTL-6-P-N (30A), CTL-12-S56-10L-N (100A)
 - b) Display range : 0.0 to 100.0A
 - c) Accuracy : ± 5% of input value or ± 2A (whichever is larger)
- Output from Alarm 2 terminal.

Alarm Output

- a) Alarm Output 1 to 3
Relay output, Form A contact 250V AC 1A (resistive load)
- b) OUT 5 to 8
Relay output, Form A contact 250V AC 3A (resistive load)

Contact Input (Optional)

Number of Inputs : 5 points

Contact Input Type

- a) RUN/STOP switching (OPEN : STOP, CLOSE : RUN)
- b) Memory area selection :
Area selection : 3 points (BCD input 0 to 7)
Data set : 1 point

Input Rating

Non-voltage contact input (OPEN : 500kΩ or more, CLOSE : 10Ω or less)

Communications (Optional)

- a) Communication method : RS-232C (3-wire), RS-422A (4-wire)
RS-485 (2-wire)
- b) Communication speed : 2400, 4800, 9600, 19200 BPS
- c) Bit format
Start bit : 1
Data bit : 7 or 8 • For MODBUS 8 bit only
Parity bit : Even, odd or without parity
Stop bit : 1 or 2
- d) Communication code : ASCII(JIS) 7-bit code
- e) Maximum connection : RS-232C : 1 unit
RS-422A, RS-485 : 31 units
(Address can be set from 0 to 99.)

Waterproof/Dustproof (Optional)

IP65

- Waterproof/dustproof protection only effective from the front in panel mounted installations.

General Specifications

Supply Voltage

- a) 90 to 264V AC (Including supply voltage variation)
[Rating : 100 to 240V AC] (50/60Hz common)
- b) 21.6 to 26.4V AC (Including supply voltage variation)
[Rating : 24V AC] (50/60Hz common)
- c) 21.6 to 26.4V DC (Ripple rate 10% p-p or less) [Rating : 24V DC]

Power Consumption

Less than 14VA for standard AC type at 100V
Less than 20VA for standard AC type at 240V
Less than 11VA for 24V AC type
Less than 330mA for 24V DC type

Power Failure Effect

Not affected by power failure shorter than 30msec, otherwise reset to the initial state.

Operating Environments

0 to 50°C [32 to 122°F], 45 to 85% RH

Memory Backup

Backed up by non-volatile memory.
Number of writing : Approx. 100,000 times
Data retaining period : Approx. 10 years

Net Weight

Approx. 560g

External Dimensions (W x H x D)

96 x 96 x 100mm

Compliance with Standards

- CE Mark
- UL/cUL Recognized
- C-Tick Mark



Multi-Loop Digital Temperature Controller MA900

Model and Suffix Code

Specifications	Model and Suffix Code	
Model	MA900-4	□ □ □ - □ □ - □ * □ □ □ - □ □ / □ / □ / Y
Control method	PID control with AT (reverse action) PID control with AT (direct action) Heat/Cool PID with AT (water cooling) Heat/Cool PID with AT (air cooling)	F D W A
Input type	See Range and Input Code Table	□
Range	See Range and Input Code Table	□
Control output 1 (OUT 1 to 4)	Relay output Voltage pulse DC current : 0 to 20mA DC current : 4 to 20mA Triac output	M V 7 8 T
Control output 2 ³ (OUT 5 to 8) (Control method F, D : Alarm 3 independent output)	No output (Only control method F and D) Relay output Voltage pulse DC current : 0 to 20mA DC current : 4 to 20mA Triac output	N M V 7 8 T
Power supply voltage	24V AC/DC 100 to 240V AC	3 4
Alarm 1 ¹	See Alarm 1 Code Table (Standard)	□
Alarm 2 ^{1,2}	No alarm Heater break alarm (CTL-6-P-N) Heater break alarm (CTL-12-S56-10L-N) See Alarm 2 and 3 Code Table	N P S □
Alarm 3 ¹	No alarm See Alarm 2 and 3 Code Table	N □
Contact input	Not supplied Contact input (RUN/STOP, Area select • Data set)	N D
Digital communications	Not supplied RS-232C (3-wire system : RKC standard) RS-422A (4-wire system : RKC standard) RS-485 (2-wire system : RKC standard) RS-485 (2-wire system : MODBUS) RS-422A (4-wire system : MODBUS) RS-232C (3-wire system : MODBUS)	N 1 4 5 6 7 8
Waterproof/Dustproof	Not supplied Waterproof/Dustproof protection	N 1
Instrument version	Version symbol	Y

1 Alarm output is common to all channels.

2 Heater break output is not available if either control is current output.

3 As for control output of 5 to 8, when code A or W is selected they are used as cool-side control output, and when F or D is selected, they are used as channel output for alarm 3.

Range and Input Code Table

Thermocouple (Field-programmable)

Input	Code	Range	Input	Code	Range	
K ¹	K : 01	0 - 200°C	J ¹	J : 22	0.0 - 200.0°C	
	K : 02	0 - 400°C		J : 23	0.0 - 600.0°C	
	K : 03	0 - 600°C		J : 30	-199.9 - 600.0°C	
	K : 04	0 - 800°C		J : A1	0 - 800°F	
	K : 05	0 - 1000°C		J : A2	0 - 1600°F	
	K : 06	0 - 1200°C		J : A3	0 - 2192°F	
	K : 07	0 - 1372°C	J : A6	0 - 400°F		
	K : 08	-199.9 - 300.0°C	J : A9	-199.9 - 999.9°F		
	K : 09	0.0 - 400.0°C	J : B6	0.0 - 800.0°F		
	K : 10	0.0 - 800.0°C	R ²	R : 01	0 - 1600°C	
	K : 13	0 - 100°C		R : 02	0 - 1769°C	
	K : 14	0 - 300°C		R : 04	0 - 1350°C	
	K : 17	0 - 450°C		R : A1	0 - 3200°F	
	K : 20	0 - 500°C		R : A2	0 - 3216°F	
	K : 29	0.0 - 200.0°C		S ²	S : 01	0 - 1600°C
	K : 37	0.0 - 600.0°C	S : 02		0 - 1769°C	
	K : 38	-199.9 - 800.0°C	S : A1		0 - 3200°F	
	K : A1	0 - 800°F	S : A2		0 - 3216°F	
	K : A2	0 - 1600°F	B ²		B : 01	400 - 1800°C
	K : A3	0 - 2502°F			B : 02	0 - 1820°C
K : A4	0.0 - 800.0°F	B : A1		800 - 3200°F		
K : A9	20 - 70°F	B : A2		0 - 3308°F		
K : B2	-199.9 - 999.9°F	E		E : 01	0 - 800°C	
J ¹	J : 01			0 - 200°C	E : 02	0 - 1000°C
	J : 02		0 - 400°C	E : A1	0 - 1600°F	
	J : 03		0 - 600°C	E : A2	0 - 1832°F	
	J : 04		0 - 800°C	N	N : 01	0 - 1200°C
	J : 05		0 - 1000°C		N : 02	0 - 1300°C
	J : 06	0 - 1200°C	N : 06		0.0 - 800.0°C	
	J : 07	-199.9 - 300.0°C	N : A1		0 - 2300°F	
	J : 08	0.0 - 400.0°C	N : A2		0 - 2372°F	
	J : 09	0.0 - 800.0°C	N : A5		0.0 - 999.9°F	
	J : 10	0 - 450°C				

RTD (Field-programmable)

Input	Code	Range	Input	Code	Range	
Pt100	D : 01	-199.9 - 649.0°C	T ¹	T : 01	-199.9 - 400.0°C	
	D : 02	-199.9 - 200.0°C		T : 02	-199.9 - 100.0°C	
	D : 03	-100.0 - 50.0°C		T : 03	-100.0 - 200.0°C	
	D : 04	-100.0 - 100.0°C		T : 04	0.0 - 350.0°C	
	D : 05	-100.0 - 100.0°C		T : A1	-199.9 - 752.0°F	
	D : 06	0.0 - 50.0°C		T : A2	-100.0 - 200.0°F	
	D : 07	0.0 - 100.0°C		T : A3	-100.0 - 400.0°F	
	D : 08	0.0 - 200.0°C		T : A4	0.0 - 450.0°F	
	D : 09	0.0 - 300.0°C		T : A5	0.0 - 752.0°F	
	D : 10	0.0 - 500.0°C		W5Re W26Re	W : 01	0 - 2000°C
	D : A1	-199.9 - 999.9°F	W : 02		0 - 2320°C	
	D : A2	-199.9 - 400.0°F	W : A1		0 - 4000°F	
	D : A3	-199.9 - 200.0°F	A : 01		0 - 1300°C	
	D : A4	-199.9 - 100.0°F	A : 02		0 - 1390°C	
	D : A5	-100.0 - 300.0°F	A : 03		0 - 1200°C	
	D : A6	0.0 - 100.0°F	A : A1		0 - 2400°F	
	D : A7	0.0 - 200.0°F	A : A2		0 - 2534°F	
	D : A8	0.0 - 400.0°F	PL II		U : 01	-199.9 - 600.0°C
	D : A9	0.0 - 500.0°F			U : 02	-199.9 - 100.0°C
	JPt100	P : 01		-199.9 - 649.0°C	U : 03	0.0 - 400.0°C
P : 02		-199.9 - 200.0°C		U : A1	-199.9 - 999.9°F	
P : 03		-100.0 - 50.0°C		U : A2	-100.0 - 200.0°F	
P : 04		-100.0 - 100.0°C		U : A3	0.0 - 999.9°F	
P : 05		-100.0 - 200.0°C		L : 01	0 - 400°C	
P : 06		0.0 - 50.0°C		L : 02	0 - 800°C	
P : 07		0.0 - 100.0°C		L : A1	0 - 800°F	
P : 08		0.0 - 200.0°C		L : A2	0 - 1600°F	
P : 09		0.0 - 300.0°C				
P : 10		0.0 - 500.0°C				

Voltage DC³ (Field-programmable)

Input	Code	Range
0-5V	4 : 01	0.0 - 100.0 (Default)
0-10V	5 : 01	0.0 - 100.0 (Default)
1-5V	6 : 01	0.0 - 100.0 (Default)

1 Type K, J, T and U input : Accuracy is not guaranteed less than -100.0°C (-158.0°F)

2 Type R, S and B input : Accuracy is not guaranteed between 0 to 399°C (0 to 799°F)

3 DC voltage input can be used for the input of 0 to 20mA (in case of 0 to 5V) and 4 to 20mA (1 to 5V) by attaching 250Ω shunt resistor (sold separately) to input terminal. (The model of shunt resistor : KD100-55)

Alarm 1 Code Table

Code	Type
A	Deviation High
B	Deviation Low
C	Deviation High/Low
D	Band Alarm
E	Deviation High with Alarm Hold

Code	Type
F	Deviation Low with Alarm Hold
G	Deviation High/Low with Alarm Hold
H	Process High
J	Process Low
K	Process High with Alarm Hold

Code	Type
L	Process Low with Alarm Hold
M	FAIL
R ¹	Loop break alarm (LBA)
V	Set value High
W	Set value Low

¹ Loop break alarm is not available for Heat/Cool PID control type.

Alarm 2 and 3 Code Table

Code	Type
A	Deviation High
B	Deviation Low
C	Deviation High/Low
D	Band Alarm
E	Deviation High with Alarm Hold

Code	Type
F	Deviation Low with Alarm Hold
G	Deviation High/Low with Alarm Hold
H	Process High
J	Process Low
K	Process High with Alarm Hold

Code	Type
L	Process Low with Alarm Hold
M	FAIL
V	Set value High
W	Set value Low

Accessories

Current transformer for heater break alarm

CTL-6-P-N (0 – 30A)

CTL-12-S56-10L-N (0 – 100A)

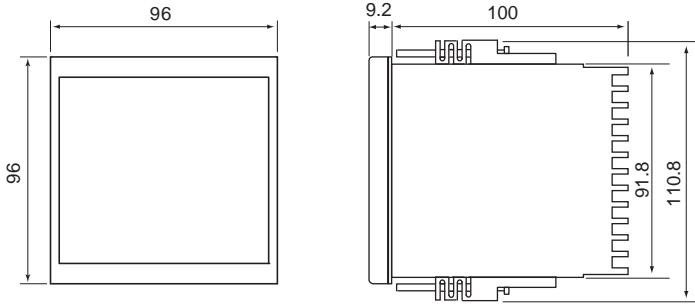
Shunt resistor for DC current input

KD100-55

Multi-Loop Digital Temperature Controller MA900

External Dimensions and Rear Terminals

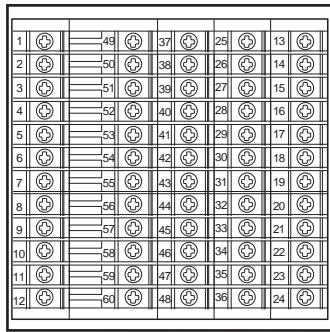
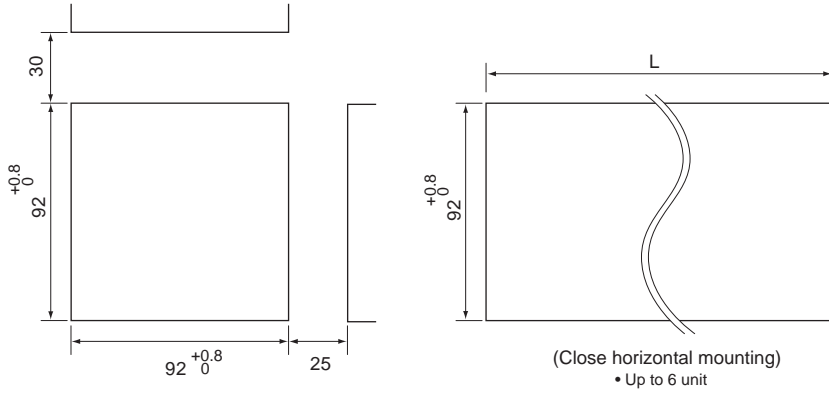
Unit : mm



For mounting of the controllers, panel thickness must be between 1 to 10mm. When mounting multiple controllers close together, the panel strength should be checked to ensure proper support..

- Dustproof and waterproof are not effective when controllers are closely mounted.

Panel Cutouts



- Use the solder less terminal appropriate to the screw size.
Screw size : M3 X 6

No.	Description	No.	Description	No.	Description	No.	Description	No.	Description		
1	AC L DC + 100 to 240V 24V 24V L N - - -	Power supply	49	NO	Alarm 2 output	37	DI	25	COM		
2			50	NC	Alarm 2 output	38	DI	26	CT1		
3	NO	Alarm 1 output	51	NO	Alarm 3 output	39	COM	27	CT2		
4			52	NC	Alarm 3 output	40	DI 1	28	COM		
5	NO	Output 1 (1) Relay contact (2) Voltage pulse/Current (3) Triac	53	NO	Output 5 (1) Relay contact (2) Voltage pulse/Current (3) Triac	41	DI 2	29	CT3		
6			54	NC	Output 5 (1) Relay contact (2) Voltage pulse/Current (3) Triac	42	DI 4	30	CT4		
7	NO	Output 2 (1) Relay contact (2) Voltage pulse/Current (3) Triac	55	NO	Output 6 (1) Relay contact (2) Voltage pulse/Current (3) Triac	43	DI SET	31			
8			56	NC	Output 6 (1) Relay contact (2) Voltage pulse/Current (3) Triac	44	SG SG SG	32			
9	NO	Output 3 (1) Relay contact (2) Voltage pulse/Current (3) Triac	57	NO	Output 7 (1) Relay contact (2) Voltage pulse/Current (3) Triac	45	T(A) T(R/A) SD	33			
10			58	NC	Output 7 (1) Relay contact (2) Voltage pulse/Current (3) Triac	46	T(B) T(R/B) RD	34			
11	NO	Output 4 (1) Relay contact (2) Voltage pulse/Current (3) Triac	59	NO	Output 8 (1) Relay contact (2) Voltage pulse/Current (3) Triac	47	R(A)	35			
12			60	NC	Output 8 (1) Relay contact (2) Voltage pulse/Current (3) Triac	48	R(B)	36			
									13	A	CH1 Measured input (1) Thermocouple (2) RTD (3) Voltage
									14	B	
									15	(1) (2) (3)	
									16	A	CH2 Measured input (1) Thermocouple (2) RTD (3) Voltage
									17	B	
									18	(1) (2) (3)	
									19	A	CH3 Measured input (1) Thermocouple (2) RTD (3) Voltage
									20	B	
									21	(1) (2) (3)	
									22	A	CH4 Measured input (1) Thermocouple (2) RTD (3) Voltage
									23	B	
									24	(1) (2) (3)	

- About output 5 to 8
 • It becomes Cool side output for CH1 to CH4 in Heat/Cool control specification.
 • It can be used as independent channel output for Alarm 3 in PID control specification. (Specify when ordering)