

Single Phase Solid State Relay (DIN rail mounting type)

# SSL SERIES

15A  
25A



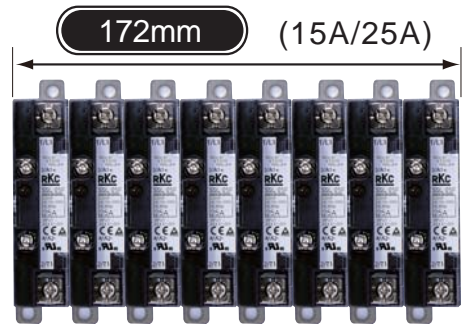
CE Mark, UL, c-UL Recognized,  
TUV Recognized



Easily mounted on a DIN-rail.  
Compact in size, even with a heatsink.

## Slim Housing

Slim width of 21.5mm for 15 and 25A types.  
Requires less than half the mounting space compared to standard SSRs.



<Close mounting 8 SSRs>

\* Maximum load current will vary depending on number of close mounted units.

### Specifications

Maximum Load Current	15A AC, 25A AC
Minimum Load Current	SSL-15F / SSL-25F : 100mA AC
Peak 1 Cycle Surge Current	SSL-15F: 150A (50Hz) SSL-25F: 250A (50Hz)
Input Signal	Voltage pulse input (DC), LOW (OFF) : 0V HIGH (ON) : 4.5 to 30V
Input Impedance	450 to 3.0kΩ (Built-in constant current circuit 10mA)
Response Time	0.5 cycle + 1ms or less
Input Protection	Protection of reverse polarity connection
Output Protection	CR protection circuit and Varistor
Output ON Voltage Drop	Less than 1.6V (200V AC)
Load Voltage	60 to 280V AC
Insulation Resistance	More than 20MΩ (500V DC)
Dielectric Voltage	2500V AC (one minute)
OFF State Leakage Current	Less than 9mA (240V AC)
Insulation Method	Phototriac
Net Weight	SSL-15F / SSL-25F : Approx. 220g
Compliance with Standards	UL/cUL, CE Mark, TUV

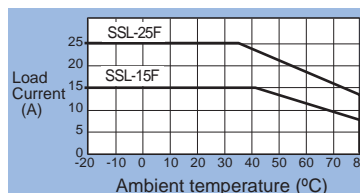
### Model Code

#### ● SSL (DIN Rail mounting type SSR)

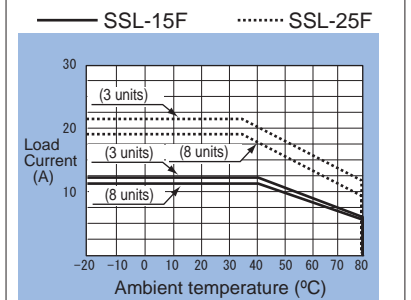
Specifications	Model and Suffix Code	
	SSL - □	F
Max. Load Current	Max 15A Max 25A	15 25
Heatsink	With Heatsink	F

\* A main unit comes with a heatsink.

#### Temperature characteristics of load current



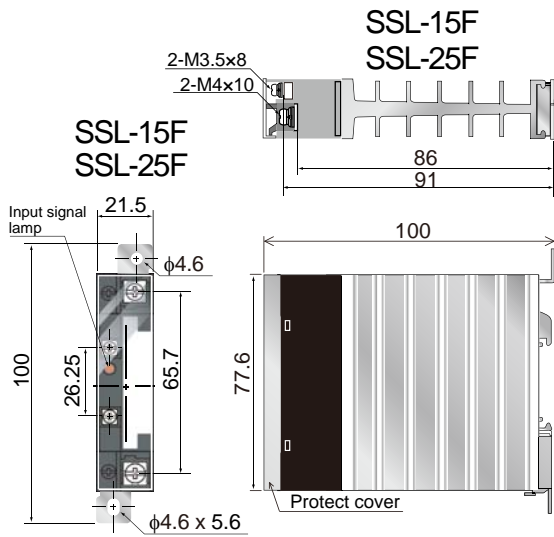
#### \* Temperature characteristics of load current with close horizontal mounting



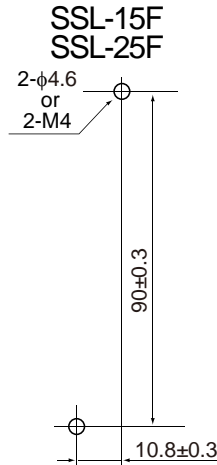
RKC INSTRUMENT INC.

## External Dimensions (Unit:mm)

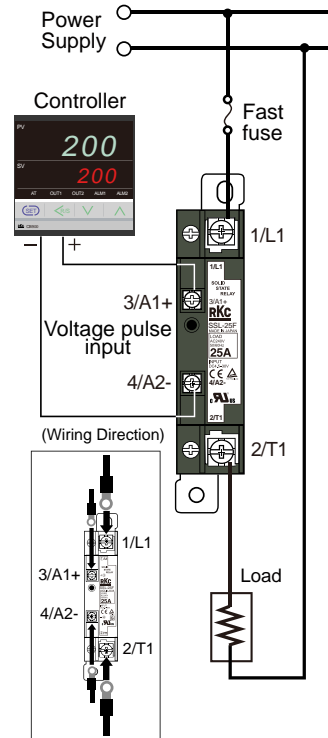
\* Same dimension for 15 and 25A types.



• Screw mounting dimensions



## External Wiring



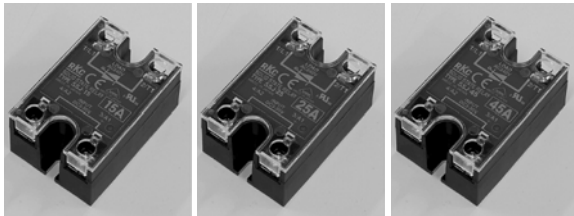
## Screw Mount SSR SSJ SERIES

15A

25A

45A

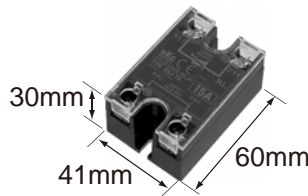
CE Mark, UL, c-UL Recognized,  
VDE Recognized



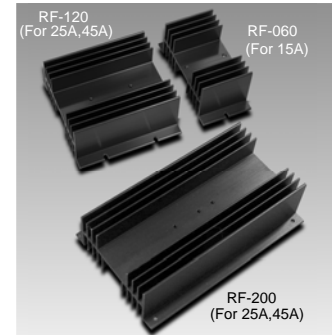
15A

25A

45A



### Heatsink



• Before operating this product, read the instruction manual carefully to avoid incorrect operation.  
• This product is intended for use with industrial machines, test and measuring equipment. It is not designed for use with medical equipment.  
• If it is possible that an accident may occur as a result of the failure of the product or some other abnormality, an appropriate independent protection device must be installed.

• When installing this product, avoid the following:  
• Direct exposure to sunlight.  
• Direct contact with water.  
• Corrosive environments.  
• Hazardous areas containing explosive or flammable gases.  
• Vibration or shock.  
• Areas subject to electrical noise caused by inductive interference, static electricity or magnetic fields.

**RKC** RKC INSTRUMENT INC.  
(RIKA KOGYO CO.,LTD)

HEAD OFFICE : 16-6, KUGAHARA 5 CHOME OHTA-KU TOKYO 146-8515 JAPAN  
PHONE : 03-3751-9799 ( +81 3 3751 9799 )  
Email : info@rkcinst.co.jp  
FAX : 03-3751-8585 ( +81 3 3751 8585 )  
https://www.rkcinst.com/